



VHF BASE STATION GROUND PLANE ANTENNA MODEL : VH-2201

Specifications

GAIN	4.5 dB
VSWR	Less than 1.5:1
FREQUENCY RANGE	136 - 174 MHz (2 M BAND)
POLARIZATION	Vertical
IMPEDANCE	50 Ohm
POWER CAPACITY	200 Watts
CONNECTOR	SO-239
OMNIDIRECTIONAL, $5/8 \lambda$ DESIGN	
LENGTH	1.7 Meter
WEIGHT	ABOUT 1.1 Kgs

Assembly

1. Refer to the drawing (rear side of this instruction).
2. Put the locking nut and washer onto the ground plane radials, then screw the three radials(part #2) into threaded holes on the metal antenna base(part #3) and tighten them by fingers. Secure the radials by tightening locking nuts with wrench.
3. Secure supporting pipe (part #7) to mounting pole (not included) in desired location using brackets (part #9), U-bolts (part #8), locking screws (part #4), locking washers (part #5), and locking nuts(part #6) supplied. Tighten them securely with a wrench or screw driver .
4. Run up the cable from radio through support pipe (part #7) and screw PL-259 on cable end tightly onto SO-239 connector at the bottom of antenna. Assemble antenna into support pipe with open threaded hole turned so that it will align with hole on support pipe for locking screw. Screw the locking screw (part #4) into hole and tighten it securely with wrench or screw driver .

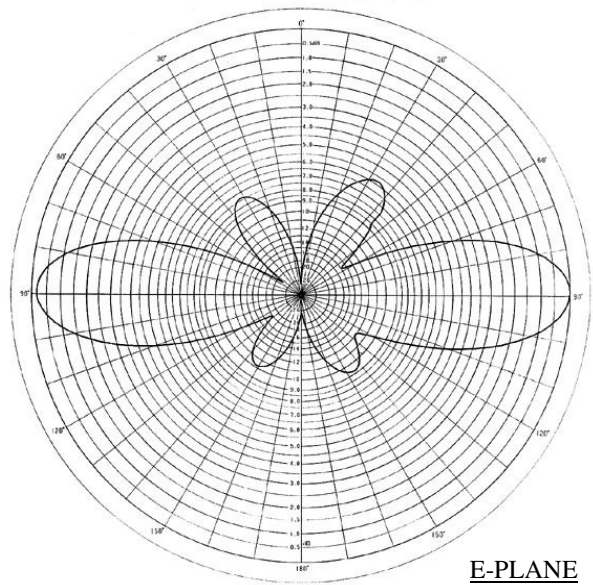
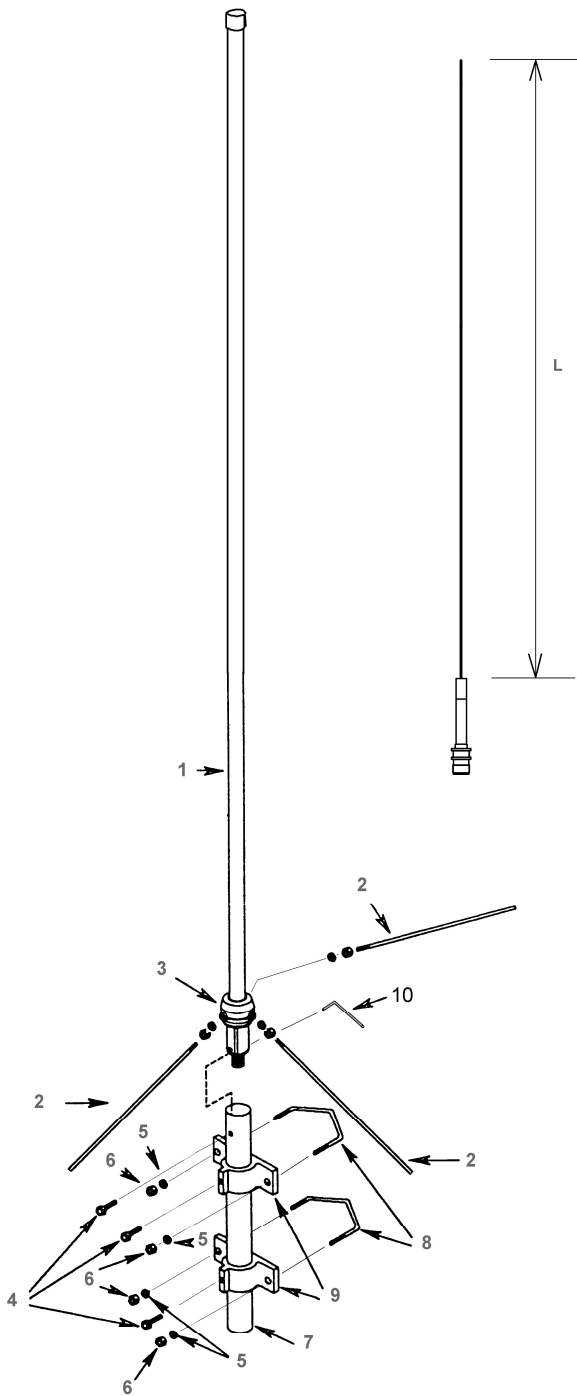
Adjustment

VH-2201 works well on any frequency between 136 – 174 MHz by radiator element cut-tuning. Please refer to the drawing on the rear side of this instruction sheet.

First, unfasten the locking screw on the metal antenna base(part #3) of VH-2201. Pull the SO-239 connector out and slide the radiator element off the outer tube carefully. Cut the radiator element to proper length according to the cutting chart. Slide the radiator back into the outer tube and push SO-239 to proper position and fasten the locking screw with a wrench(part #10).

Now you can follow above “ Assembly step 1 to step 4 “ to install VH-2201.

VH-2201 VHF BASE STATION ANTENNA



CUTTING CHART

FREQUENCY (MHz)	LENGTH(L)	
	INCH	cm
136	63	160
141	60-1/4	153
146	57-7/8	147
151	55-1/2	141
156	53-3/4	136.5
160	51-15/16	132
165	50	127
170	48-7/16	123
174	47-1/4	120

PARTS LIST

NO	DESCRIPTION	Q'TY
1	OUTER TUBE	1
2	RADIALS WITH NUT, SPRING WASHER	3
3	MAST	1
4	LOCKING SCREW	3
5	LOCKING WASHER	4
6	NUT	4
7	SUPPORTING PIPE	1
8	U-BOLT	2
9	BRACKET	2
10	WRENCH	1